

Get only verified suppliers of piping material and industrial metals in UAE



Carbon Steel Flange : ASTM A694,
ASTM A105N, MSS SP-44 and DIN 2533
in Class 150 to CL 2500

carbon steel flanges suppliers:

Looking for manufacturers and suppliers for carbon steel flanges? We list only verified suppliers and stockists of carbon steel flanges, here find technical specifications, weight charts and data sheets along with genuine stockists in the Middle East and other Asian countries.

304 stainless steel flanges suppliers:

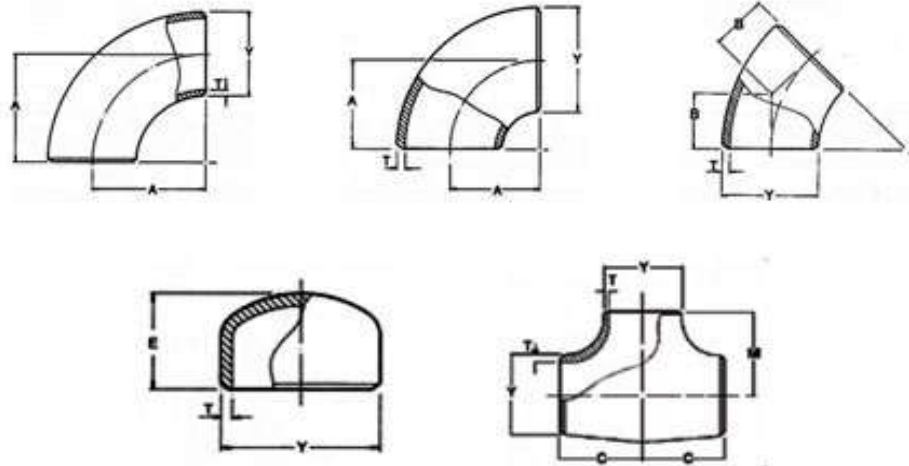
Buy 304 stainless steel flanges online in different sizes and surface finishes. Looking for [reliable 304 stainless steel flanges suppliers](#)? It's the only B2B marketplace of industrial metals and alloys where you can find the Top 10 manufacturers and suppliers of carbon steel flanges from UAE and GCC countries.

Most trusted suppliers
on www.pipingmaterial.ae



ASTM A105 Flange:

Shop for ASTM A105 Flange online at a competitive pricing range. Here you will find professional and established manufacturers and suppliers of steel flanges along with other related information. Explore now to get the right source online.



carbon steel pipe fittings suppliers:

Are you in search of carbon steel pipe fittings suppliers? We are the best B2B platform for piping products for UAE and other middle countries where you get accurate information about carbon steel flanges along with real manufacturers and suppliers, call directly for an instant quote.

stainless steel 304 fasteners suppliers:

Are you finding stainless steel 304 fasteners' suppliers? Find reliable and certified stockists of carbon steel flanges on one of the most trusted B2B websites in the Middle East and find only dual-tested material and instant prices with technical specifications.

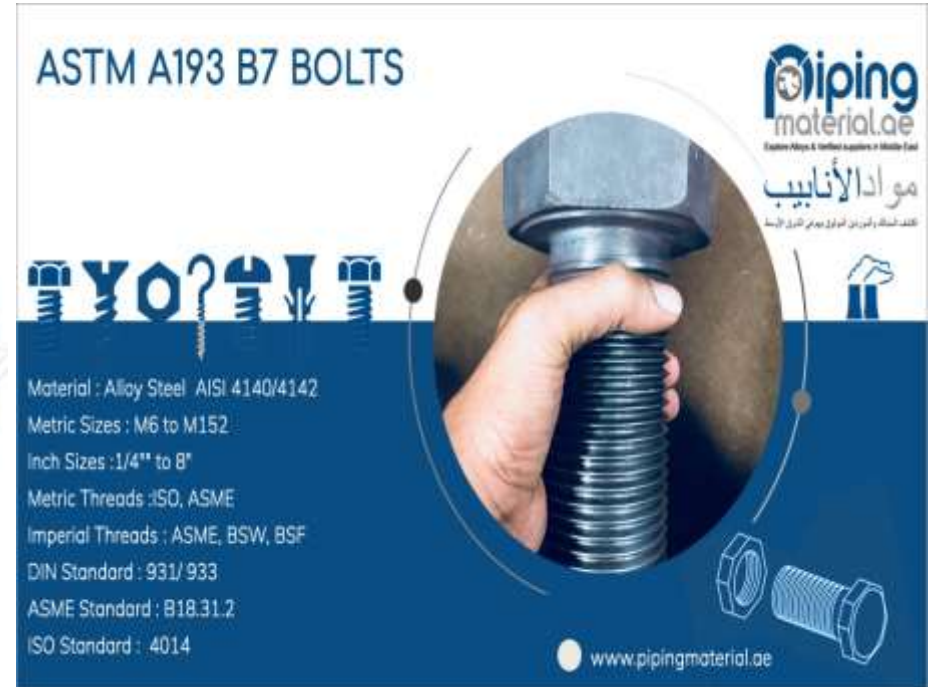


Piping material.ae
An online platform by
EXPLORE MIDDLE EAST FZE

High Tensile Fasteners for extreme temperature
between 300°C and 700°C

www.pipingmaterial.ae

في يوم 700 و في يوم 300 نيب يوضو قلا غرا حلا فير دل نثرنا في لاع قبا شم



ASTM A193 B7 BOLTS

Piping material.ae
Established & Verified Suppliers in Middle East
مواد الأنايبب
المواد المعتمدة والمؤهلة من الشرق الأوسط

Material : Alloy Steel AISI 4140/4142
Metric Sizes : M6 to M152
Inch Sizes : 1/4" to 8"
Metric Threads : ISO, ASME
Imperial Threads : ASME, BSW, BSF
DIN Standard : 931/ 933
ASME Standard : B18.31.2
ISO Standard : 4014

www.pipingmaterial.ae

ASTM A193 B7 Bolts:

Shop for ASTM A193 B7 Bolts online! Still not getting quick delivery of high quality ASTM A193 B7 Bolts at the lowest price in Dubai? Check the price list of verified and certified suppliers in ADNOC and SABIC.

CONTACT US



PIPINGMATERIAL.AE

Address

Office no. 1309, 13th Floor, Creative
Tower, Fujairah, Post Box 4422

Country- UAE

Phone- +971 55 356 1751

Email- support@pipingmaterial.ae

Web- <https://www.pipingmaterial.ae/>



Thank
you